



# 60Hz VENTILATION SOLUTIONS



NUAIRE. FOR THE COMPLETE VENTILATION SOLUTION





# WITH A RECORD OF QUALITY WHICH IS THE ENVY OF THE INDUSTRY...

...Nuaire is a British company with a long history of innovation in a field of ventilation and air movement solutions, and its products are known across the world for their superb quality and efficiency.

Founded in 1966, Nuaire has a long and much-admired heritage in developing and manufacturing ventilation products. The company's products are renowned worldwide, likewise their unrivalled customer service, and it is this combination which has ensured that Nuaire's products have been sold into more than 60 countries around the world, including in the Middle East, Europe, the USA and Asia.





# TWIN INLINE CENTRIFUGAL - SQUIF

High pressure, volume and temperature centrifugal extract fan range where the motor is out of the airstream. The twin fan option, run and standby, ensures long life and guaranteed ventilation.



## KEY BENEFITS:

- ▶ **QUIET AND POWERFUL SOLUTIONS**
- ▶ **OUT OF AIRSTREAM MOTORS** - IDEAL FOR DIRTY EXTRACT AND GREASY ENVIRONMENTS
- ▶ **HIGH TEMPERATURE APPLICATION** - CAPABLE OF RUNNING CONTINUOUSLY AT 90°C, AND A ONE OFF EMERGENCY USE OF 400°C/2
- ▶ **HIGH RESISTANT** - HIGH EFFICIENCY CENTRIFUGAL IMPELLERS PROVIDE HIGH PRESSURE DEVELOPMENT SUITABLE FOR DUCTED SYSTEMS
- ▶ **FLEXIBLE SOLUTION** - CAN BE MOUNTED INTERNALLY OR EXTERNALLY AND EITHER VERTICALLY OR HORIZONTALLY





## CONSULTANTS SPECIFICATION



### CASING

Heavy gauge galvanised steel with integral back draught shutters operated in conjunction with the running fan. The units are designed for easy maintenance (additional finishes are available). General construction is to a Class A Leakage. Case is fitted with an integral flange.



### MOTOR

Motors are direct drive mounted out of airstream Class F insulated and IE2 high efficiency. Motors are available as single speed; 4 or 6 pole. Motor bearings are sealed for life. Units are designed as run and standby fan assemblies with a built in backdraught damper and failure detection.

- 380v
- 460v
- Other voltages available, contact Nuaire for more details.



### CERTIFICATION AND OPERATING TEMPERATURE

Units are independently tested to BS EN12101-3, suitable for standard day to day temperatures of up to 90°C and for one off operation at 400°C for two hours (when located outside the smoke envelope).



### IMPELLER

The impeller is a high efficiency backwards curved centrifugal design manufactured from galvanised steel.



### INSTALLATION

The units are designed for internal or external installation.



### PERFORMANCE

The units are available in a variety of airflows up to 6.0m<sup>3</sup>/s with high pressure development.



### NOISE

Units are designed for quiet operation with low in-duct and breakout sound levels.



### ANCILLARIES

Each unit is available with a range of ancillaries for ease of installation. All ancillaries are certified to BS EN12101-3.

- Splitter attenuator
- AV mounts
- Flexible connectors
- Weatherproof coils, guards



### APPLICATIONS

- Car parks
- Factories and warehouses
- Commercial kitchens
- Student accommodation
- Care homes
- Leisure and sports facilities
- Public buildings



# TWIN INLINE CENTRIFUGAL - SQUIF

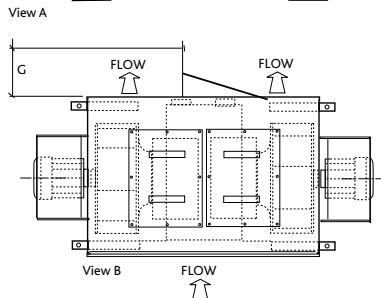
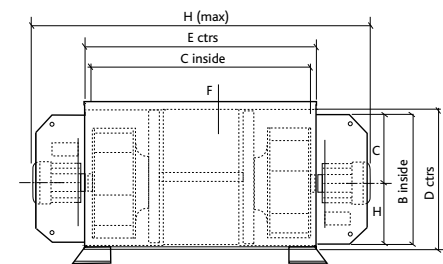
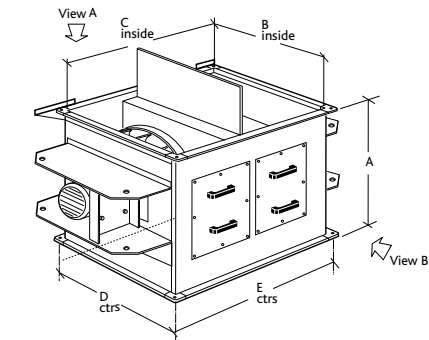


**CODING** SQFT41-3

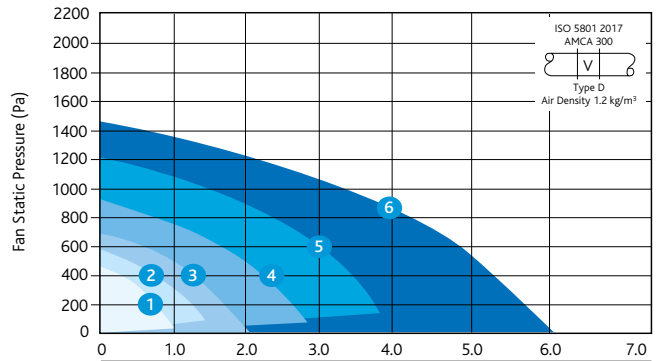
SQFT	4	1	-	3
	1	2	3	4

**SAMPLE CODING**

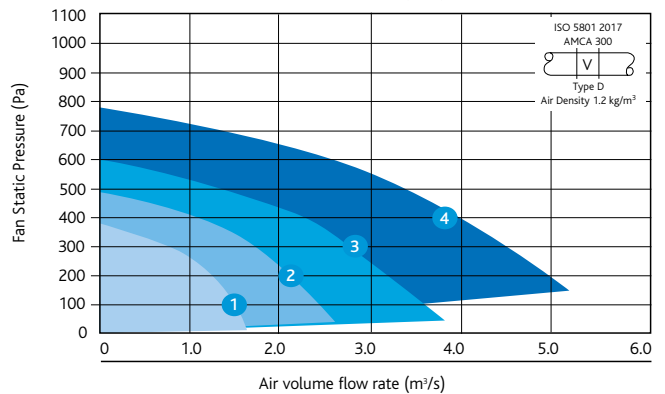
- 1 - SQFT - High temperature Twin Squif
- 2 - Pole (4 or 6)
- 3 - Curve number
- 4 - Phase (1 or 3)
- 5 - J-380v, G-460v



**Twin Squif - 4 pole**



**Twin Squif - 6 pole**



DIMENSIONS (MM)

MODEL	CURVE REF	A	B	C	D	E	F	G	H
SQFT41	1	634	500	710	529	741	26.5	223.5	1150
SQFT42	2	692	700	780	730	811	32	248	1250
SQFT43	3	750	750	882	780	913	32	278	1382
SQFT44	4	820	800	970	830	1001	32	303	1550
SQFT45	5	901	900	1075	930	1106.5	32	333	1850
SQFT46	6	994	1000	1230	1030	1261	32	383	2000
SQFT61	1	820	800	970	830	1001	32	303	1550
SQFT62	2	901	900	1075	930	1106.5	32	333	1850
SQFT63	3	994	1000	1230	1030	1261	32	383	2000
SQFT64	4	1114	1100	1380	1130	1411	32	433	2280

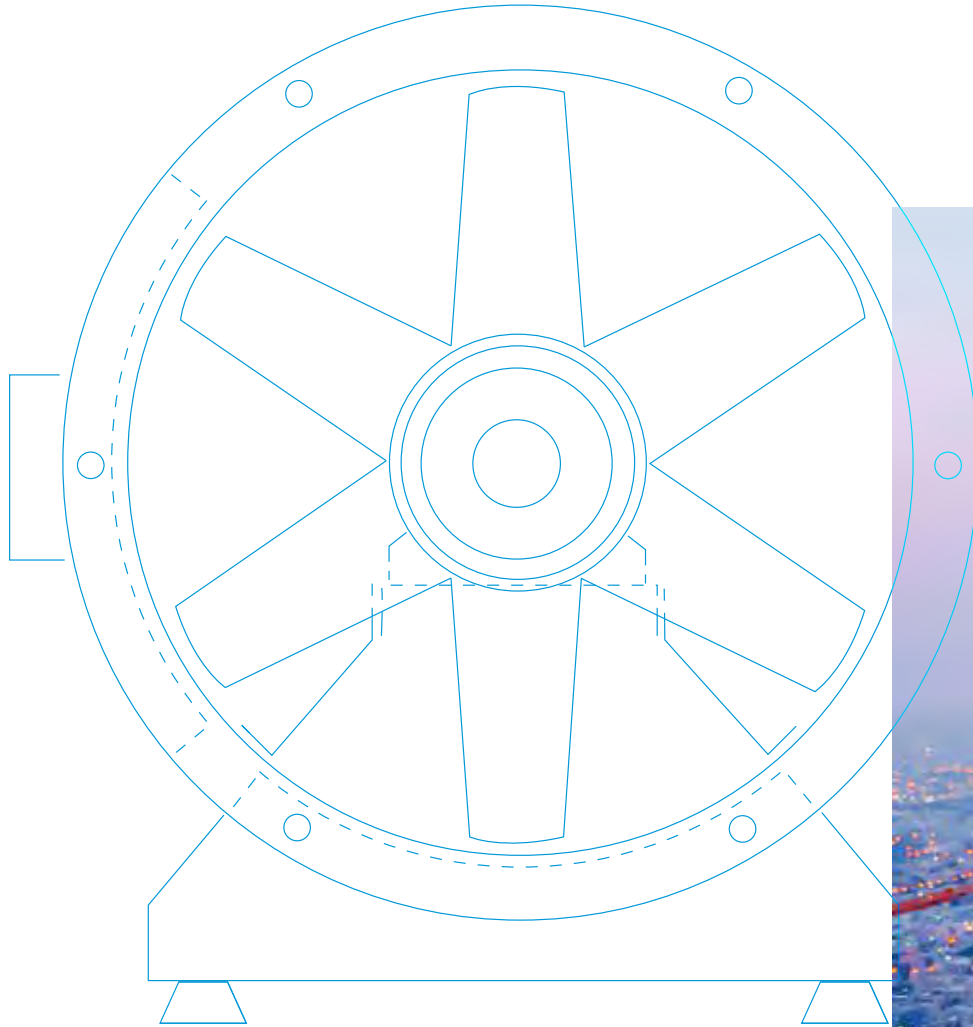
J-380

CODE	PHASE	RPM SPEED	MOTOR CURRENTS		SOUND POWER LEVELS RE 1 PWATT (Hz) INDUCT INLET								dB(A) @3M
			FLC	SC (DOL)	63	125	250	500	1K	2K	4K	8K	
SQFTA41-3J	3	1700	2.26	12	94	97	83	74	74	74	73	66	56
SQFTA42-3J	3	1700	3.2	21	92	99	86	81	78	80	79	71	55
SQFTA43-3J	3	1730	6	45	96	102	87	83	81	82	82	75	58
SQFTA44J	3	1730	10.3	74	90	100	93	86	81	84	84	75	58
SQFTA45J	3	1740	18.3	102	96	106	91	89	89	88	87	85	63
SQFTA61J	3	1130	4.7	10	88	96	88	79	74	77	77	68	48
SQFTA62J	3	1130	12	67	94	103	87	82	80	79	78	76	58
SQFTA63J	3	1150	4.8	27	94	107	91	83	80	80	81	77	61
SQFTA64J	3	960	20	112	95	110	95	86	83	81	81	78	64
SQFT41-3J	3	1700	2.4	10.8	94	97	83	74	74	74	73	66	56
SQFT42-3J	3	1720	3.7	20	92	99	86	81	78	80	79	71	55
SQFT61J	3	1100	4.7	21	88	96	88	79	74	77	77	68	48
SQFT62J	3	1100	3	13.2	94	103	87	82	80	79	78	76	58
SQFT63J	3	1160	10.6	63	94	107	91	83	80	80	81	77	61

G-460

SQFA41-3G	3	1700	2.26	12	94	97	83	74	74	74	73	66	56
SQFA42-3G	3	1700	3.2	21	92	99	86	81	78	80	79	71	55
SQFA43-3G	3	1730	6	45	96	102	87	83	81	82	82	75	58
SQFA44G	3	1730	10.3	74	90	100	93	86	81	84	84	75	58
SQFA45G	3	1740	18.3	102	96	106	91	89	89	88	87	85	63
SQFA61G	3	1130	4.7	10	88	96	88	79	74	77	77	68	48
SQFA62G	3	1130	12	67	94	103	87	82	80	79	78	76	58
SQFA63G	3	1150	4.8	27	94	107	91	83	80	80	81	77	61
SQFA64G	3	960	20	112	95	110	95	86	83	81	81	78	64
SQFT41-3G	3	1700	2.4	10.8	94	97	83	74	74	74	73	66	56
SQFT42-3G	3	1720	3.7	20	92	99	86	81	78	80	79	71	55
SQFT61G	3	1100	4.7	21	88	96	88	79	74	77	77	68	48
SQFT62G	3	1100	3	13.2	94	103	87	82	80	79	78	76	58
SQFT63G	3	1160	10.6	63	94	107	91	83	80	80	81	77	61

\*\* Two speed options are available, contact Nuair for details.



NUAIRE. FOR THE COMPLETE VENTILATION SOLUTION

T +44(0)29 2085 8484 E [INTERNATIONAL@NUAIRE.CO.UK](mailto:INTERNATIONAL@NUAIRE.CO.UK) W [NUAIRE.CO.UK](http://NUAIRE.CO.UK) [@NUAIREGROUP](https://twitter.com/NUAIREGROUP)

